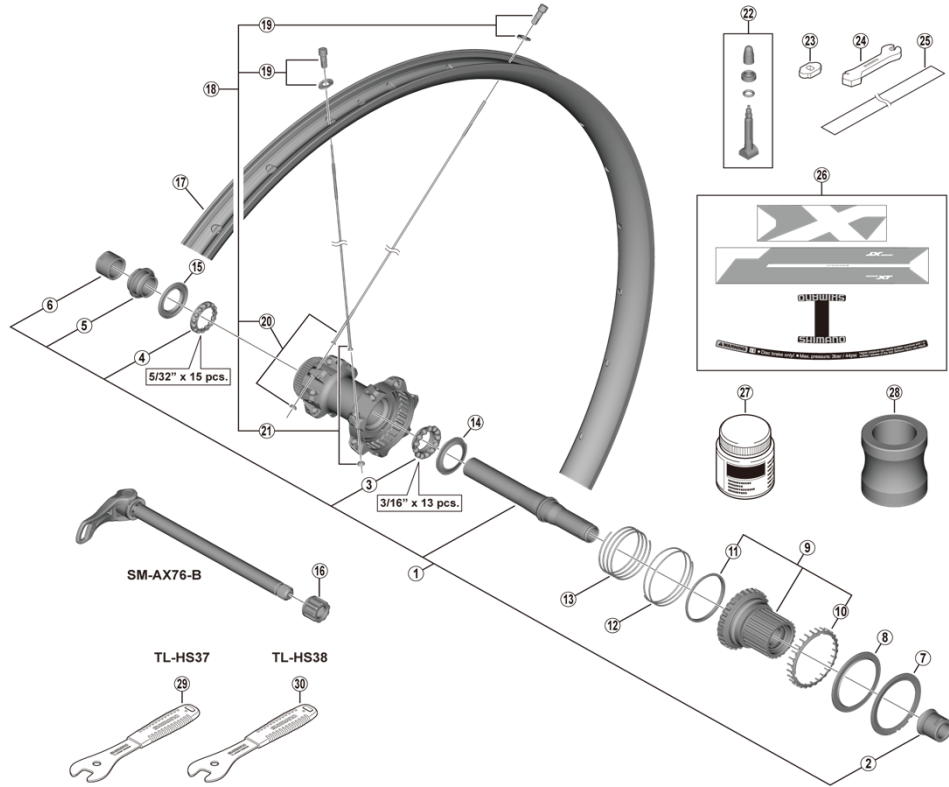


DEORE XT Rear Wheel (MTB 12-speed)
WH-M8100-TL-R12-B-275 For Disc Brake
SM-AX76-B



FH-M9111-B
 FH-MT901-B

• Over Lock Nut Dimension: 148 mm

ITEM NO.	SHIMANO CODE NO.	DESCRIPTION	INTERCHANGEABILITY	
* 1	Y3G198010	Complete hub axle		
2	Y3G198020	Right hand cap unit		
3	Y3G198030	Right hand ball retainer (3/16" x 13)	B	B
4	Y0CJ98030	Ball retainer (5/32" x 15)		
* 5	Y3G198040	Left hand cone with dust cover		
6	Y3G104000	Left hand lock nut		
7	Y3FL98060	Stop ring with outer dust cover	A	A
8	Y3FM26000	Outer seal ring	A	A
* 9	Y0HE98010	Complete freewheel body		
10	Y3G111000	Spacer	B	B
11	Y3FM11000	Slider	A	A
12	Y3FM10000	Spring	A	A
13	Y3FM12000	Coil spring	A	A
14	Y3G112000	Inner cover		
15	Y26D10000	Seal ring		
16	Y27Y02000	Fixing nut (M12)	A	A
17	-	Rim {28H}		
18	-	Spoke unit (spoke (281.5 mm x 14 pcs. / 277 mm x 14 pcs.) / spherical washer (28 pcs.) / nipple (28 pcs.) / rim washer (28 pcs.))		
19	Y03X98010	Nipple and Rim Washer		
20	Y0HD98010	Left hand spoke (281.5 mm) with spherical washer		
* 21	Y0HE98020	Right hand spoke (277 mm) with spherical washer		
22	Y4RJ98020	Valve unit		
23	Y4RJ10000	Valve tool		
24	Y4EF28000	Nipple wrench 4.0		
25	Y48J00010	Tubeless tape		
26	Y0HD98020	Rim sticker unit		
27	Y38Z98000	Seal grease for freehub (50 g)	A	A
28	Y1Y100010	TL-FH16 Seal ring presser	A	A
29	Y23098030	TL-HS37 Hub spanner 17 mm	A	A
30	Y23098040	TL-HS38 Hub spanner 18 mm	A	A

A: Same parts.

B: Parts are usable, but differ in materials, appearance, finish, size, etc.

Absence of mark indicates non-interchangeability.

Specifications are subject to change without notice.

Jan.-2021-4524C

© Shimano Inc. |

SHIMANO